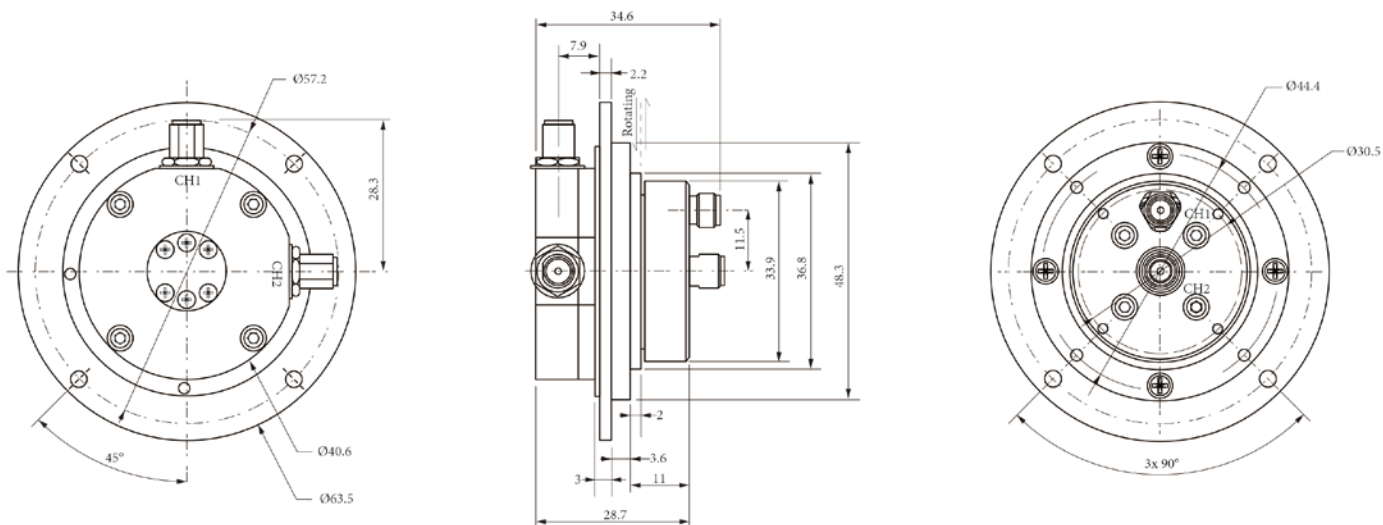


- Coaxial line with 2.92 connectors, to match your system
- Small Size and lightweight, to fulfill your compact design



Specifications

	Channel 1		Channel 2	
Interface	2.92mm Female (50 ohms)		2.92mm Female (50 ohms)	
Style	L Type		L Type	
Frequency Range	19.4 to 21.2 GHz		29.1 to 31 GHz	
Peak Power, Max.	1000 W		1000 W	
Average Power, Max.	1 W		10 W	
VSWR, Max.	1.5		1.5	
VSWR WOW (360° Max.)	0.1		0.1	
Insertion Loss, Max.	0.8 dB		0.8 dB	
Insertion Loss WOW, Max.	0.1 dB		0.2 dB	
Isolation	50 dB Min. / 60 dB Typical			
Rotation Speed, Max.	60 rpm	Life, Min.	10 Million Revolutions	
Starting Torque	5.6 Ncm Max.	Continuous Rotational Torque	5.6 Ncm Max.	
Axial Load On Interface, Max	± 5 N	Radial Load On Interface, Max	± 5 N	
Body Material	Aluminum Alloy	Material Contact	Beryllium Copper	
Body Surface Finish	Chromate Conversion Coat	Material Contact Finish	Gold Plated	
Weight	0.2 kg	Insulator Material	PTFE / Teflon	
Temperature (Ambient Range)	-55 to +70°C (Operation)	Humidity (Non-Condensing), Max.	85% (Operation)	
	-50 to +70°C (Storage)		95% (Storage)	
IP Protection Level	IP 60 per EN 60529	Marking	Adhesive Label	