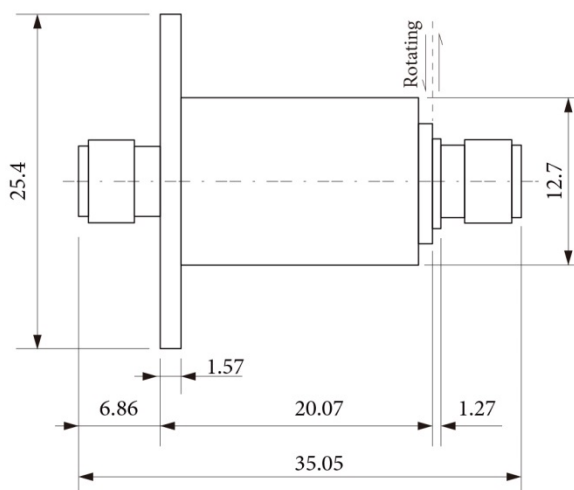
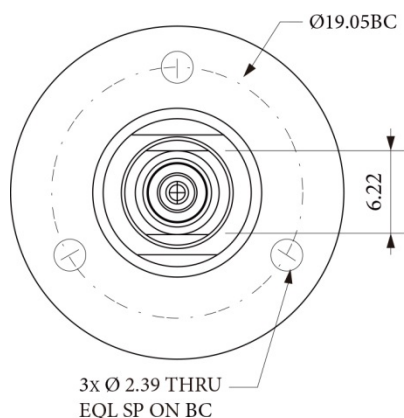


- Coaxial line with K Female connectors
- Small Size and lightweight
- Contacting Design, DC upto 40 GHz working frequency



Specifications

Interface Type	2.92 Female (50 ohms)	Style	I Type
Frequency Range	DC to 40 GHz	Phase WOW (Degrees Max.)	1°
VSWR, Max.	1.40 @ 0-18 GHz 1.65 @ 18-26.5 GHz 1.80 @ 26.5-40 GHz	Insertion Loss, Max.	0.5 dB @ 0-18 GHz 0.75 dB @ 18-26.5GHz 1.00 dB @ 26.5-40GHz
VSWR WOW	0.05 @ 0-26.5 GHz 0.10 @ 26.5-40 GHz	Insertion Loss WOW	0.05 dB @ 0-12 GHz 0.10 dB @ 12-40 GHz
Peak Power, Min.	500 W @ 1 GHz	Average Power, Min. @ Body Temperature Max. 60°C	50 W @ 1 GHz
Rotating Speed, Max.	500 rpm	Life Time, Min.	15 Million Revolutions
Starting Torque	2 Ncm Max.	Continuous Rotational Torque	2 Ncm Max.
Axial Load On Interface, Max	± 2 N	Radial Load OnInterface, Max.	± 2 N
Body Material	Stainless Steel	Contact Pin Material	Beryllium Copper
Body Surface Finish	Passivate	Contact Surface Finish	Gold Plate
Weight	0.0236 kg	Marking	Adhesive Label
Insulator Material	PTFE / Teflon	IP Protection Level	IP 40 Acc. EN 60529
Temperature (Ambient Range)	-55 to +85°C (Operation)	Humidity (Non-Condensing), Max.	95% (Operation)
	-55 to +85°C (Storage)		85% (Storage)