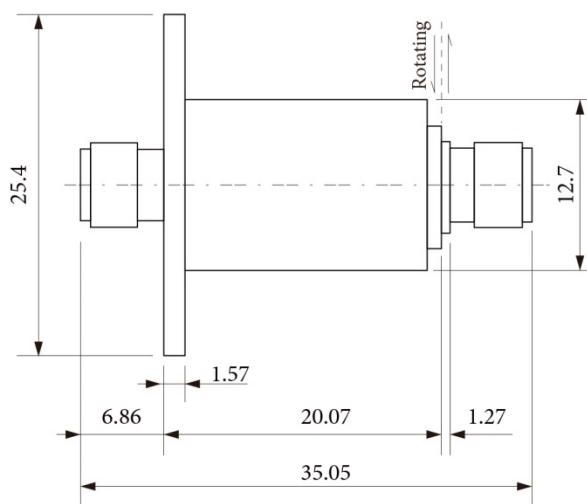
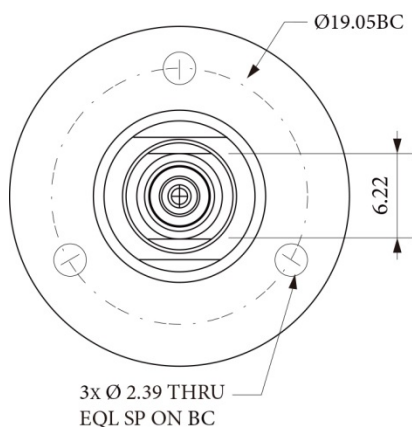


- Coaxial line with SMA Female connectors
- Small Size and lightweight
- Contacting Design, DC upto 26 GHz working frequency



Specifications

Interface Type	SMA F – SMA F (50 ohms)	Style	I Type
Frequency Range	DC to 26 GHz	Phase WOW (Degrees Max.)	1°
VSWR, Max.	1.50 @ 0-18 GHz 1.75 @ 18-26 GHz	Insertion Loss, Max.	0.5 dB@0-18 GHz 0.75 dB @18-26 GHz
VSWR WOW	0.05@0-18 GHz 0.07@18-26 GHz	Insertion Loss WOW	0.05 dB @0-18 GHz 0.07 dB @18-26 GHz
Peak Power, Max.	5 kW	Average Power, Max. @ Body Temperature Max. 60°C	200 W @ 1 GHz
Rotating Speed, Max.	500 rpm	Life Time, Min.	15 Million Revolutions
Starting Torque	0.5 Ncm Max.	Continuous Rotational Torque	2 Ncm Max.
Axial Load On Interface, Max	± 2 N	Radial Load On Interface, Max.	± 2 N
Body Material	Stainless Steel	Contact Pin Material	Beryllium Copper
Body Surface Finish	Passivate	Contact Surface Finish	Gold Plate
Weight	0.0236 kg	Marking	Adhesive Label
Insulator Material	PTFE / Teflon	IP Protection Level	IP 40 Acc. EN 60529
Temperature(Ambient Range)	-40 to +70°C (Operation)	Humidity (Non-Condensing), Max.	95% (Operation)
	-55 to +85°C (Storage)		85% (Storage)