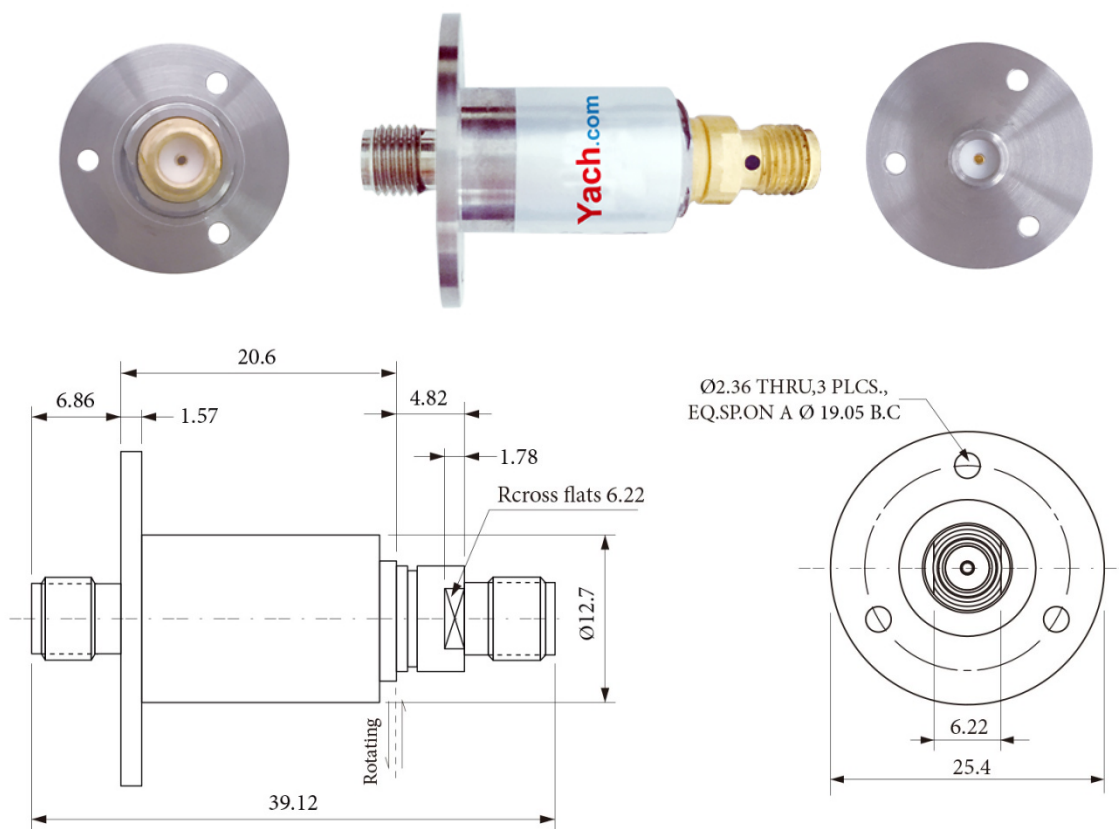


- Coaxial line with SMA Female connectors
- Small Size and lightweight
- Contacting Design, DC upto 18GHz working frequency



**Specifications**

Specifications			
Interface Type	SMA F – SMA F (50 ohms)	Style	I Type
Frequency Range	DC to 18 GHz	Phase WOW (Degrees Max.)	1°
VSWR, Max.	1.5	Insertion Loss, Max.	0.30 dB
VSWR WOW	0.05	Insertion Loss WOW	0.05 dB
Peak Power, Max.	5 KW	Average Power, Max. @ Body Temperature Max. 60°C	200 W @ 1 GHz
Rotating Speed, Max.	500 Rpm	Life Time, Min.	10 Million Revolutions
Starting Torque	0.5 Ncm Max.	Continuous Rotational Torque	2 Ncm Max.
Axial Load On Interface, Max	± 2 N	Radial Load On Interface, Max.	± 2 N
Body Material	Stainless Steel	Contact Pin Material	Beryllium Copper
Body Surface Finish	Passivate	Contact Surface Finish	Gold Plate
Weight	0.0236 kg	Marking	Adhesive Label
Insulator Material	PTFE / Teflon	IP Protection Level	IP 40 Acc. EN 60529
Temperature (Ambient Range)	-40 to +70°C (Operation)	Humidity (Non-Condensing), Max.	95% (Operation)
	-55 to +85°C (Storage)		85% (Storage)